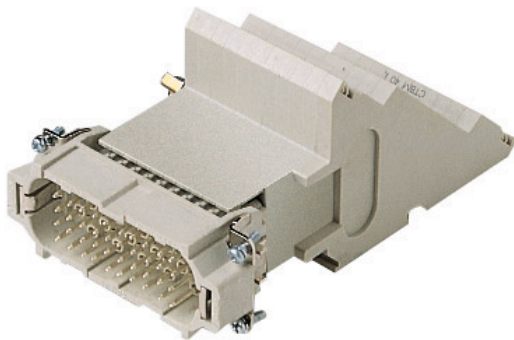




Part number

CTM 40 L



Brief description:

male insert, 40 poles + PE, with terminal block, screw terminal connection, 10A, 250V, 4kV, 3, silver plated, size "57.27" only bulkhead mounted housing, CLASS insert series

Product description		Approvals / Standards	
Model	male insert	Reference standard	EN 61984 (2001-11)
Version	with terminal block, screw terminal connection	Quality mark	 , EAC
Series	CT	Conformity	CQC, CE
Product type	with male contacts	General ordering information	
Variant	left side mounting	EAN13 code	8015747041409
Family	CLASS inserts	Tariff number	85369095
Size	size "77.27" only bulkhead mounted housing	Country of origin	Made in EU (IT)
N. of poles	40 poles + 	ETIM classification	EC000438
Technical data		Packaging Information	
Current	10 A (A.C. and D.C.)	Sub-packaging length	145,00 mm
Voltage	250 V	Sub-packaging height	89,00 mm
Rated impulse withstand voltage	4kV	Sub-packaging width	90,00 mm
Pollution degree	3	Sub-packaging weight	0,37 kg
Wire cross-section	0,75 mm ² - 2,50 mm ²	Sub-packaging volume	1,16 dm ³
AWG size	18 - 14	Sub-packaging description	Carton Box
Operating temperature range (min, max)	-40°C ... +125°C	Sub-packaging quantity	1 Pcs
Contacts material	Brass	Sub-packaging EAN barcode	8015747041416
Contact type	silver plated		
Mating cycles	≥ 500		
IP degree of protection	IP20 without enclosure, IP65, IP66, IP67 and IP69K with enclosure		
PE connection type	Screw		
PE terminal stripping length	7 mm		
Tightening torque for PE connection	M4: 1,2 Nm, 10,6 lb.in (Ph2 or 1,0x5,5mm)		
Further technical details			
Characteristics according to EN 61984	10A 250V 4kV 3; 10A 230/400V 4kV 2		
Insulation resistance	≥ 10 GΩ		
Contact resistance	≤ 4 mΩ		
Rated voltage according to UL/CSA	600V		
UL 94 flammability rating	V-0		
Main contacts stripping length	12 mm		
Torque for main contact	M2,5: 0.4 Nm; 3.5 lb.in (0,5 x 3mm)		
Tightening torque for fixing screws	M3: 0.5 Nm; 4.4 lb.in (Ph1 or 0.8x4 mm)		
Weight	365,00 g		

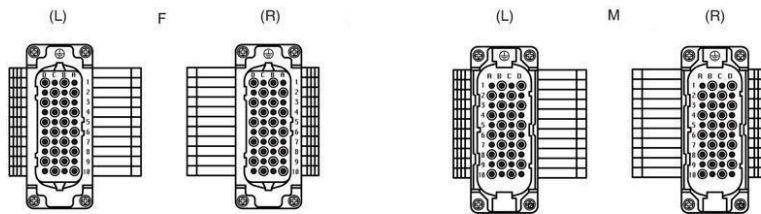
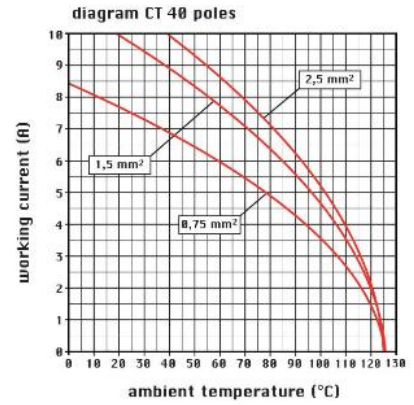
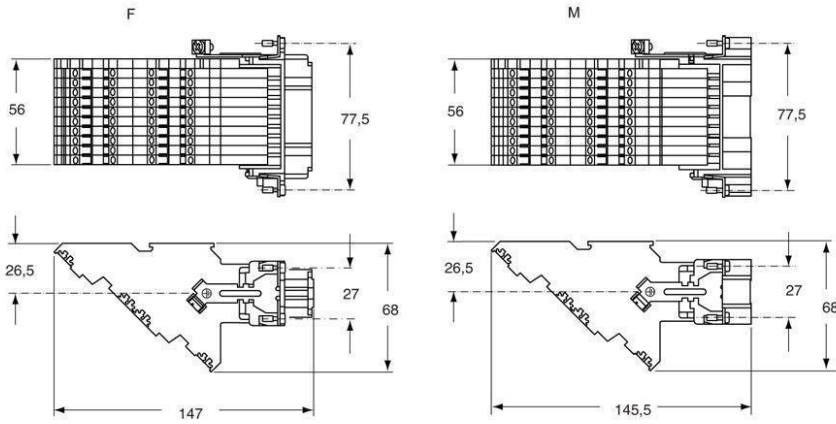
Part number

CTM 40 L



Catalogue drawings

Catalogue drawings



Notes

CT ... : for non-prepared conductors

